

C&I Energy Storage Solution

Three Phase System: WIT 50-100K-HU+ APX 14.3P-B1 Battery

(Single Inverter System)

1 x Growatt WIT 50~100K-HU (ShineWiFi-X2 included)

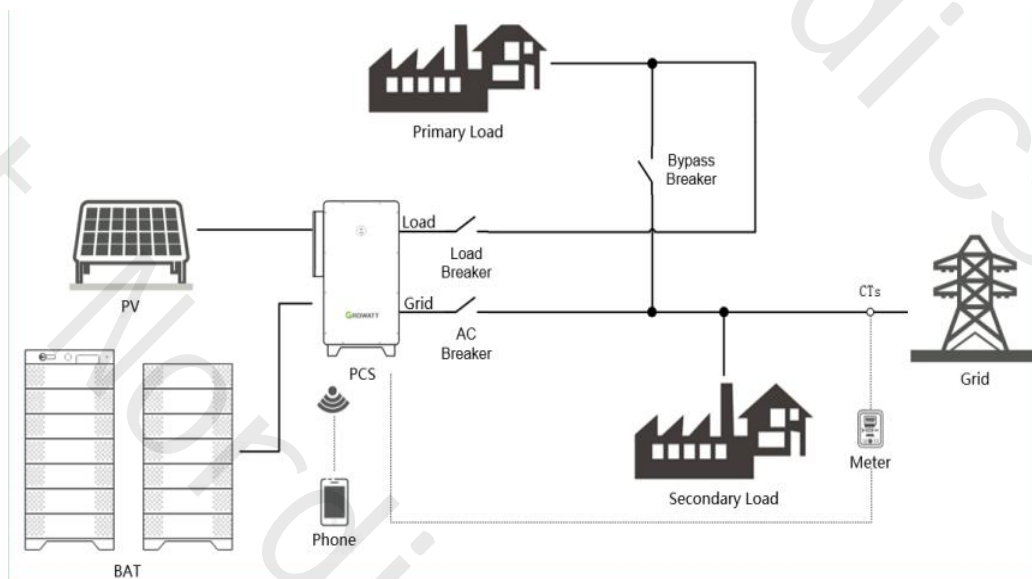
1 x Growatt TPM-CT-E-EU (250/600/1200 & 5A, CT Current $\cong 125\% * \text{Load}$

Current)

1 x Growatt APX 14.3P-B1 Battery System

1 x Growatt SYN 400E-30 (400V AC switch Cabinet, only need it when connected to genset)

The battery has to be installed as 2 clusters and the highest one no more than 7 x Growatt APX 14.3P-B1 Battery.



Three Phase System: WIT 50-100K-HU+ APX 14.3P-B1 Battery

(2 x Inverter Parallel Connection System)

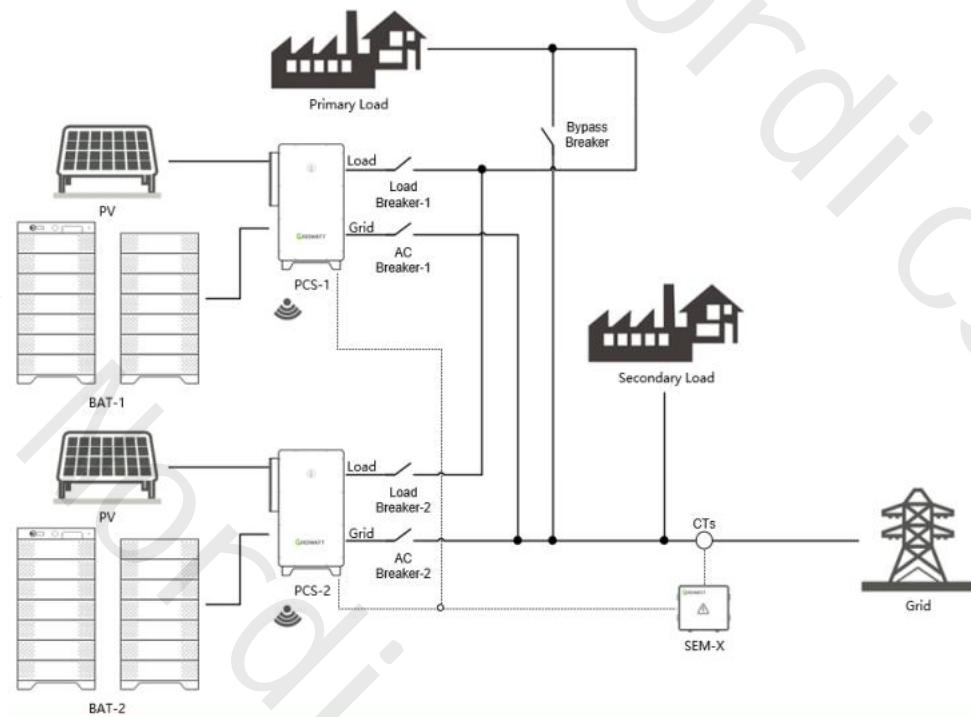
2 x Growatt WIT 50~100K-HU

1 x Growatt SEM-X (250/600/1200 & 5A, CT Current $\cong 125\% * \text{Load Current}$)

2 x Growatt APX 14.3P-B1 Battery System

2 x Growatt SYN 400E-30 (400V AC switch Cabinet, only need it when connected to genset)

The battery has to be installed as 2 clusters and the highest one no more than 7 x Growatt APX 14.3P-B1 Battery.



Three Phase System: WIT 50-100K-HU+ APX 14.3P-B1 Battery

(3 x Inverter Parallel Connection System)

3 x Growatt WIT 50~100K-HU

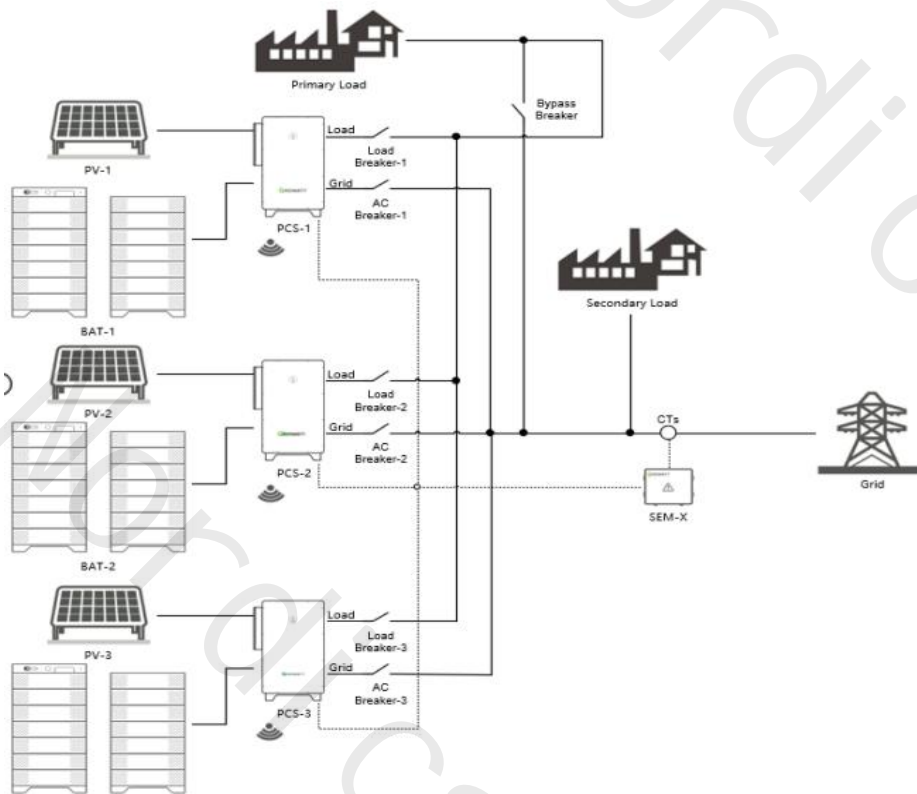
1 x Growatt SEM-X (250/600/1200 & 5A, CT Current $\cong 125\% * \text{Load Current}$)

3 x Growatt APX 14.3P-B1 Battery System

1 x Growatt SYN 400E-30 (400V AC switch Cabinet, only need it when connected to genset)

1 x Growatt SYN 600E-30 (400V AC switch Cabinet, only need it when connected to genset)

The battery has to be installed as 2 clusters and the highest one no more than 7 x Growatt APX 14.3P-B1 Battery.



Growatt APX 14.3P-B1 Battery System

1 x Growatt APX 1000140-C1 (Power Module)

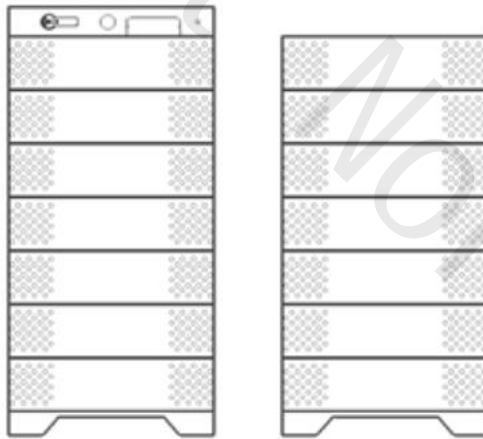
9 + Growatt APX 14.3P-B1 Battery (max. 14 pcs)

2 x Growatt APX Commercial Battery Base

1 x Growatt APX Series Connection Cable

1 x Growatt APX Commercial Battery Cable

Growatt APX 14.3P-B1 Battery System Capacity Range: 129kWh~200kWh



BAT